



4096-681
Revision -
January 19, 2005

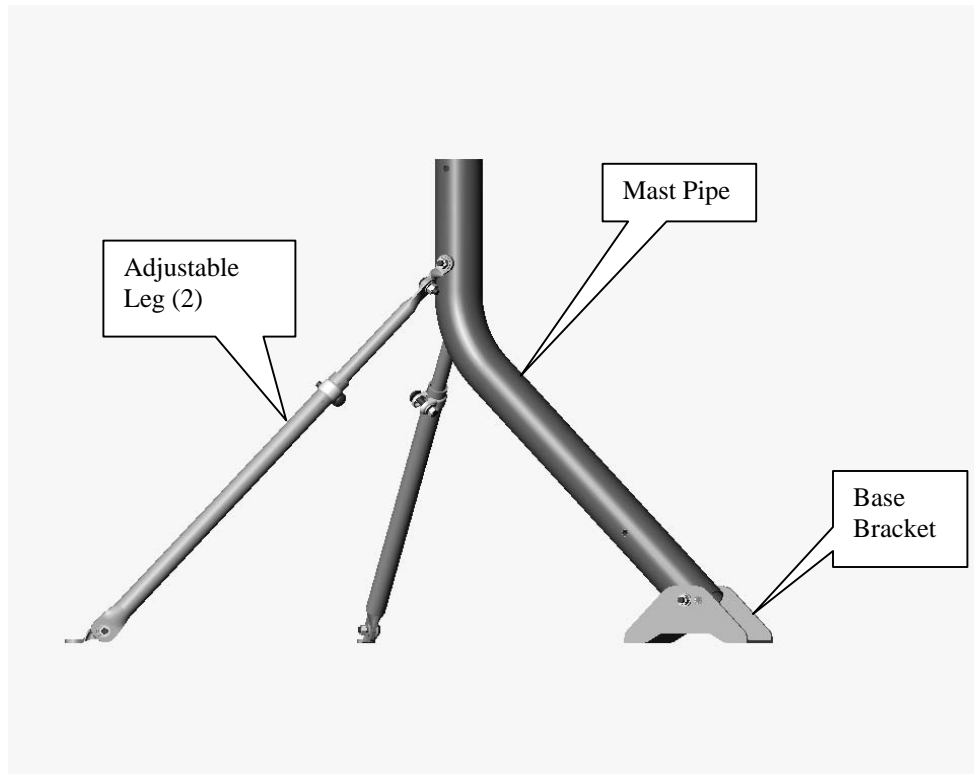
ASSEMBLY MANUAL

2.38" OD Universal Mount

PRODELIN CORPORATION
1500 Prodelin Drive
Newton NC 28658USA
Phone 828-464-4141
www.tripointglobal.com

2.38" O.D. Universal Mount

-	ORIGINAL RELEASE	1/19/2005	RAH
REV.	<u>DESCRIPTION</u>	<u>DATE</u>	<u>APPROVED</u>

Trimast Installation Instructions**Trimast Assembly**

1. Determine installation site. (vertical surface (wall), horizontal surface (ground), or sloped surface)
2. There are two assembly configurations for the trimast. If the installation site is a wall or ground, then the factory assembly configuration (“Configuration 1” of Figure 1) is correct. Also if the installation site is a sloped surface up to 30° or greater than 55° with 16” on center rafters or greater than 60° with 24” on center rafters, then the factory assembly configuration is correct. Refer to Figure 1 for details.
3. If the installation site is a sloped surface not identified above, the trimast assembly must be reconfigured to “Configuration 2” in Figure 1.
4. To do this, remove the (2) carriage bolts, flatwashers, and nuts holding the base bracket to the mast pipe. Locate the base bracket on the opposite end of the mast pipe and re-attach using the same hardware.
5. Next, remove the carriage bolt, flatwasher, and nut holding the (2) adjustable legs to the mast pipe. Relocate the (2) legs to the opposite end of the mast pipe and re-attach using the same hardware.

-
6. If the trimast is being installed on a wooden surface, 3/8" x 4" long lag screws are recommended for installation. If the trimast is being installed on a brick or concrete surface, 3/8 x 2" Hilti sleeve anchors (or equivalent) are recommended.
 7. Once the installation site and assembly configuration are determined, refer to Figure 1 to determine the recommended mounting hole pattern. ("A", "B", "C", or "D") Refer to Figure 2 for mounting hole patterns.
 8. Transfer the mounting hole locations to the mounting surface.
 9. Attach the base bracket (2 places) and the mounting brackets at the ends of the adjustable legs to the mounting surface. Tighten securely.
 10. Using a level against the outside of the mast pipe, adjust the pipe until plumb by allowing the adjustable legs to lengthen or shorten as required.
 11. Once the mast is plumb, tighten the 5/16" hardware on the adjustable legs (3 places each leg), the leg attachment to the mast pipe (1 place), and the base bracket to the mast pipe (2 places) using a 1/2" wrench or socket.
 12. The trimast is now ready for installation of the antenna system.

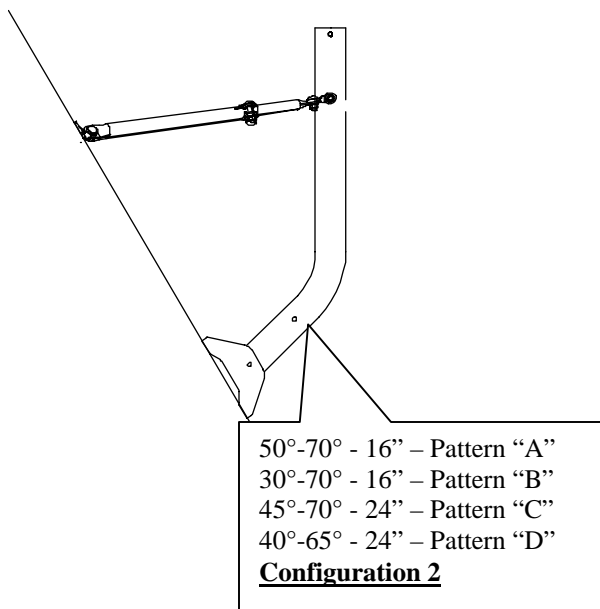
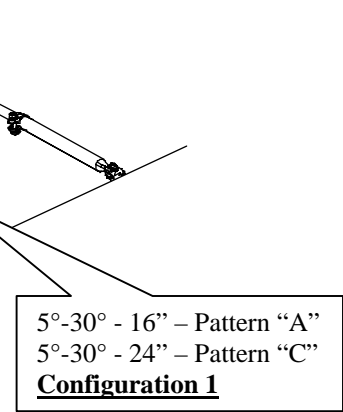
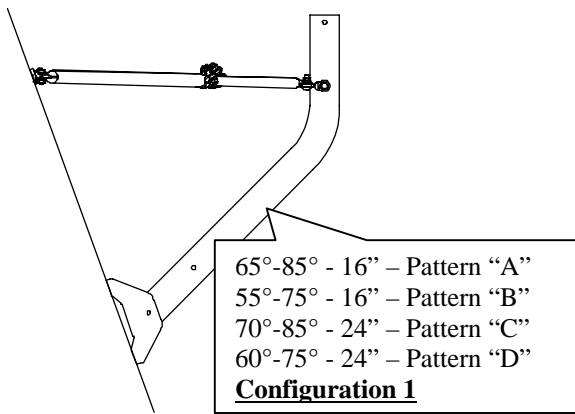
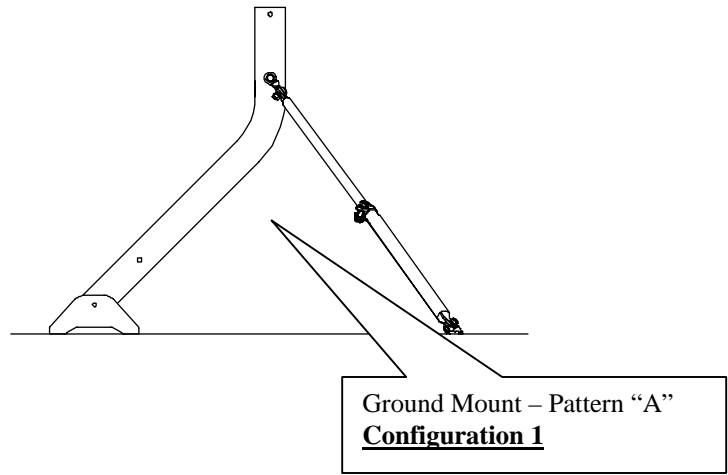
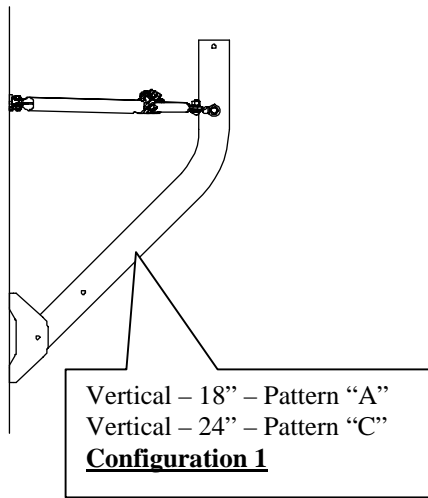
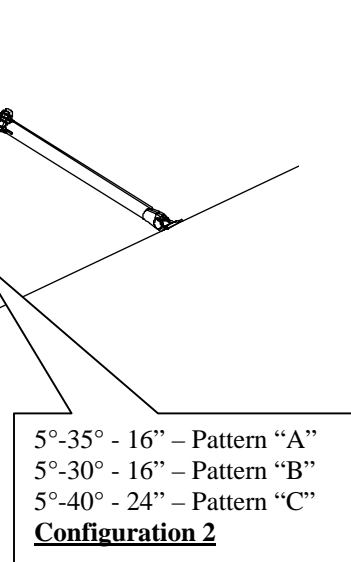
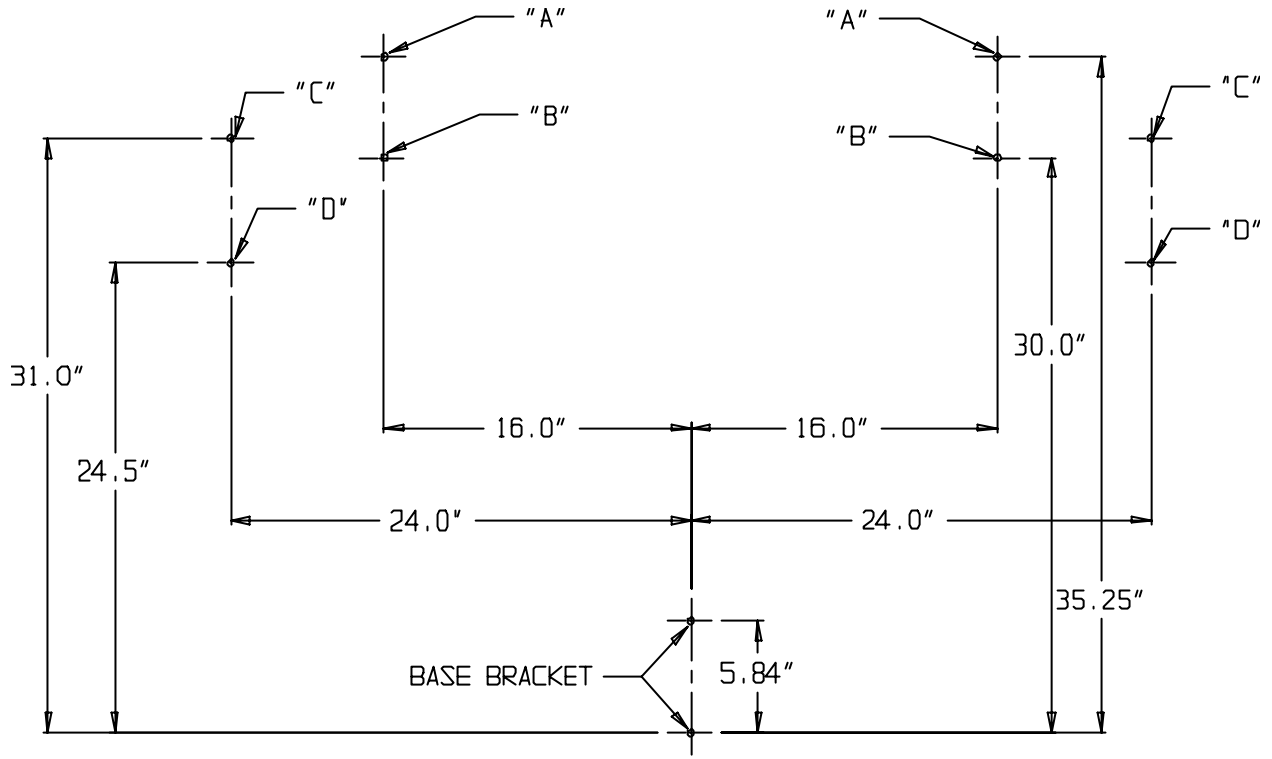


Figure 1





TRIMAST MOUNTING PATTERNS

Figure 2