



4096-346

January 11, 2002  
Revision A

ASSEMBLY MANUAL

# 3.7M PEDESTAL MOUNT FOUNDATION REQUIREMENTS

PRODELIN CORPORATION  
1500 Prodelin Drive  
Newton NC 28658 USA  
Phone 828-464-4141

## 3.7M PEDESTAL MOUNT FOUNDATION REQUIREMENTS

A	Revised Address	1/11/02	<i>RAT</i>
-	ORIGINAL RELEASE	03/11/94	R.F.
<b>REV.</b>	<b>DESCRIPTION</b>	<b>DATE</b>	<b>APPROVED</b>

**SUGGESTED FOUNDATIONS**

**NOTE:** Due to the wide variety of soil conditions, Prodelin Corporation does not warrant that any particular design or size of foundation is appropriate for any locality or earth station installation. It is the responsibility of the installer/user to determine if it meets the site/locality requirements. If there is any doubt, have it checked by an architect or structural engineer.

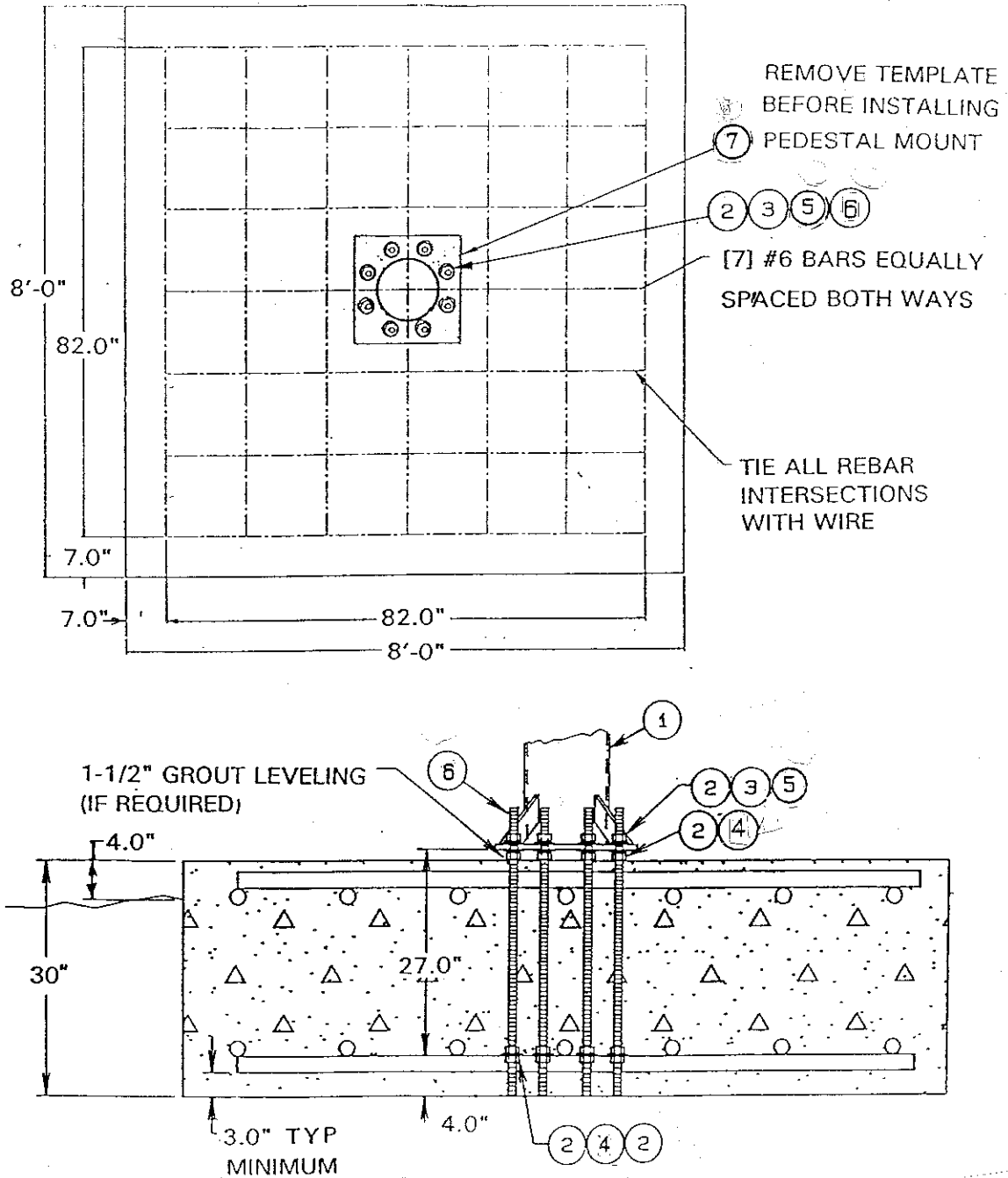
**PEDESTAL FOUNDATION**

Figure 1 shows a suggested Pad Foundation and figure 2 shows a suggested Pier Foundation. Both foundations utilize Prodelin's Pedestal Mount. To install the Pedestal Mount foundation, follow the steps below.

1. Install one [1] 1-8 hex nut and one [1] 1" flatwasher (items# 2,4) onto the anchor rod (item# 5), then insert the anchor rod into one of the holes in the plywood template (item# 6) and install another 1-8 hex nut and 1" narrow flatwasher (item #3). Repeat this procedure for the remaining anchor rods. This will keep all the anchor rods in the straight and proper orientation when the concrete is poured. Next, install two [2] 1-8 hex nuts and one [1] flatwasher (items# 2,4) on the other end of each anchor rod. See figures 1 and 2.
2. Once the site location is determined, dig up the area where the foundation will be installed. Be careful not to dig too deep because the soil in the bottom and sides of the foundation should be undisturbed. Position the reinforcing bars as shown. Position the anchor rods so that the flatwashers are positioned under the reinforcing bars. Pour concrete and allow to dry for 24 hours.
3. Once the concrete is dry, remove the plywood template and screw the lower hex nuts as far down on the anchor rods as possible. Then install the mast pipe (item# 1) on to the anchor rods. Adjust the lower hex nuts until the mast pipe is level in the vertical position. Reinstall the flatwashers, lockwashers and hex nuts. With the mast pipe tightened down, fill the space between the concrete slab and the mast pipe base with grout.

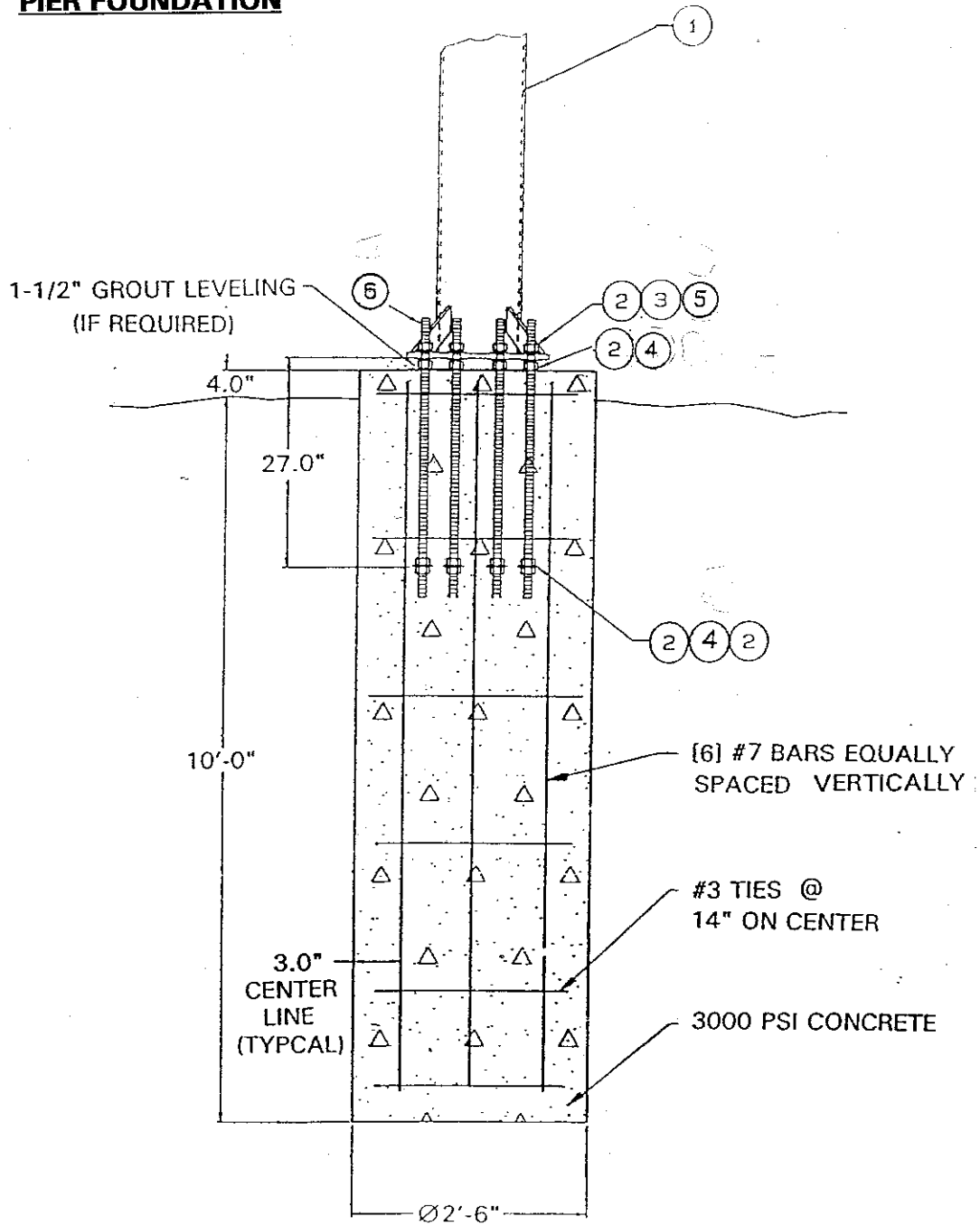
FOUNDATION PARTS LIST			
ITEM#	PART#	DESCRIPTION	QTY
1	0490-408	3.7M PEDESTAL MAST PIPE	1
2	8107-007	1-8 HEX NUT	32
3	8201-049	1" FLATWASHER (NARROW)	8
4	8201-046	1" FLATWASHER	16
5	8202-046	1" LOCKWASHER	8
6	0180-238	1-8 x 36" ANCHOR ROD	8
7	0274-017	TEMPLATE	1

**PAD FOUNDATION**



**FIGURE 1**

**PIER FOUNDATION**



**FIGURE 2**